

LABORATORY TEST REPORT

Balcony Railing

"3091 Railing Type #2"

8 mm Thick Laminated Glass

Performed in accordance with
CSA A500-16 "Building Guards"

Report No. L20-540-5918a

Report Date:
December 23, 2020

Prepared for:

Art Aluminum Railing Technologies Ltd.

66 Rivalda Rd.

Toronto, ON M9M 2M3

Canada

Respectfully submitted by:

**CANADIAN BUILDING ENVELOPE
Science and Technology (CAN-BEST)**



Tests Supervised by:

Tariq In'airat E.I.T.
Project Manager

Report Authorized by:



Elie Alkhoury, M.Eng. (Building Science), P.Eng.
Director, Research and Testing Services

- This report does not constitute certification of the test product. The reported test results refer only to the specimen tested. No representation is made that other samples of similar design will feature like performance.
- This report was prepared for the consideration of the addressee only. It shall not be used by any other party without the written consent of CAN-BEST.
- This report may not be reproduced or quoted in partial form without the approval of CAN-BEST.

Building Envelope Performance

Research, Testing and Investigation

ISO 17025 accredited by SCC for specific tests as listed on www.scc.ca

1. INTRODUCTION

Canadian Building Envelope Science and Technology (CAN-BEST) was retained by Falbo Aluminum Products to carry out load testing on their glass balcony railing system. Testing was performed in accordance with Article 4.1.5.14 "Loads on Guards" of both Ontario Building Code (OBC) 2012 and National Building Code of Canada (NBCC) 2015 requirements. In addition, testing for impact load and post-breakage retention was performed in accordance with CSA A500-16 "Building Guards".

2. DISCLAIMERS

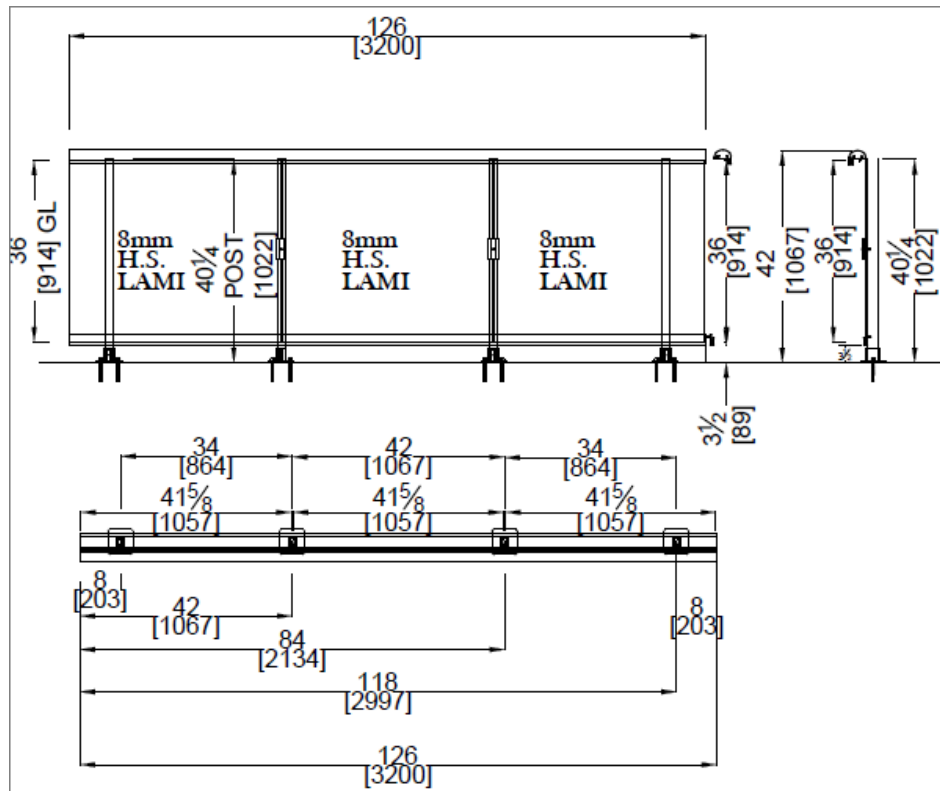
This report covers certain tests carried out on one guard rail specimen having specific properties, configuration and dimensions. Product performance is affected by variations in dimensions, assembly details and installation method. Consequently, the reader is advised to ensure product suitability for the intended application and conformity with all the details of the test sample described in the following section.

This report does not cover the rail's anticipated performance under service environmental conditions, nor the anchoring strength and stability of the substrate. No conclusions regarding concrete anchor performance or glass performance may be drawn from the reported results.

3. RAILING DESCRIPTION

Designation: "3091 Railing Type #2, 8 mm Laminated Glass"

Type: Four posts, three glass panel balcony railing system, top mounted on concrete slab.



Railing Description (Cont'd.)

- Panels:** Three 1067 mm (42") wide by 914 mm (36") high glass panels with 203 mm (8") overhang.
- Glass:** Laminated heat strengthened glass comprising two 4 mm (0.16") thick glass lites laminated to 1.52 mm (0.06") thick EVA interlayer.
- Panel Support:** Glass panels were continuously supported at the top and bottom rails in channels lined with continuous rubber spline. The panels were attached to the post at mid-height through a pair of 51 mm x 102 mm x 6.4 mm thick (2.0" x 4.0" x 0.25") aluminum plates, lined with 6.4 mm (0.25") thick co-extruded gasket (referred to as cleat) and one 1/4-20 x 1 1/2" stainless steel pan head machine screw.
- Railing:** 1070 mm (42 1/8") high top rail, 3200 mm (126") long, comprised the following:
- **Posts** - Four 914 mm (36") long extruded aluminum posts of rectangular tubular section, 50.8 mm x 38.1 mm (2.0" x 1.5") x 4.8 mm (0.19") thick; the inner posts spaced at 1067 mm (42"), and the outer posts spaced at 863 mm (34").
 - **Top Rail Plate** - One continuous, extruded aluminum top rail plate fastened to the top end of each post by four #10 x 1 1/2" long pan head coated TEK screws.
 - **Top Rail Cap** - One continuous, extruded aluminum top rail cap of irregular section, snapped onto the top rail, and clamped with a total of nine aluminum plates, 25 mm wide x 73 mm long x 0.125" thick (1" x 2 7/8" x 1/8"), positioned two at the ends, two at each side panel and three at center panel. Each plate was fastened from underneath with one 1/4-20 x 1 1/2" long pan head stainless steel machine screw.
 - **Bottom Rail** - One continuous, extruded aluminum bypass bottom rail, fastened to the bottom end of each post by two #10 x 3/4" pan head coated TEK screws.
- Anchoring:** Each post was fastened into an aluminum shoe using two 3/8" x 1/2" locking screws. The shoe comprised a 3" high x 0.375" thick aluminum sleeve welded onto 125 mm x 125 mm x 10 mm (5" x 5" x 0.39") aluminum base plate. Each shoe was top anchored to the concrete slab using two 1/2" x 4 1/2" long stainless steel threaded expansion anchors to a minimum embedment depth of 3 1/4" in pre-drilled holes.
- Sampling:** Railing assembly was selected and installed by the client.
- Modifications:** No modifications were performed on the specimen during testing in order to attain the reported results.
- Drawings:** Detailed drawings, provided by the client, verified by CAN-BEST for general conformity, are enclosed with this report (4 pages).

4. TEST LOADS

Static test loads were applied in accordance with the requirements of Article 4.1.5.14. of both OBC and NBCC including a **Load Factor of 1.50**.

In addition, testing for impact resistance and post-breakage retention was performed in accordance with CSA A500 Standard. Test load schedule and a summary of CSA A500 Standard requirements are provided in Table (1) and Appendix (A) respectively.

Table (1): Test Load Schedule

OBC-2012/NBC-2015 Article 4.1.5.14 Requirements	
Service Load:	1.00 kN (225lb)
Load Factor:	1.50
<p>4.1.5.14 (1) Horizontal Load at Top of Guard Horizontal point load applied at top rail in the outward direction shall be the greater of:</p> <p>4.1.5.14 (1) (b) a concentrated load of Basic Load of 1.0 kN (225 lb) applied at any point.</p> <p><u>OR</u> Client specified load factor applied to OBC's Basic Load: Ultimate Load: 1.50 kN (337 lb)</p> <p><u>OR</u> 4.1.5.14 (1) (c) Basic Load: 0.75 kN/m (51 lb/ft) Ultimate Load: 1.13 kN/m (77 lb/ft) Post Spacing: 1067 mm (42.0") Equivalent Load: 1.20 kN (270 lb)</p>	
<p>4.1.5.14 (2) Horizontal Load at Infill Elements Individual elements within the guard including solid panels and pickets, shall be designed for a load of 0.5 kN (112.5 lb) applied over an area of 100 mm x 100 mm located at any point in the element or elements as to produce the most critical effect.</p> <p>Service Load: 0.5 kN (113 lb) Ultimate Load: 0.75 kN (169 lb)</p>	
<p>4.1.5.14 (4) Vertical Load at Top of Guard Basic Load: 1.5 kN/m (103 lb/ft) Ultimate Load: 2.25 kN/m (154 lb/ft) Post Spacing: 1067 mm (42.0") Equivalent Load: 2.40 kN (540 lb)</p>	
CSA A500-16 Requirements	
<p>5.3.6 Impact Resistance Impact Load: 542 N.m, equivalent to 45.4 kg mass impacting at 1220 mm free fall One hit at center of each infill panel</p>	
<p>5.5.3 Post-Breakage Retention Post-Breakage Load: 25% of the service wind load or 225 N, whichever is greater.</p>	

5. TEST RESULTS

Test results for static loading are provided in Table (2). Impact loading and post-breakage retention results are provided in Table (3).

Table (2): Loading Test Results (Article 4.1.5.14. of the NBC) Test Date: October 22-28, 2020

TEST REQUIREMENT	Load Location	RESULTS	RATING
Service Load <i>Top of guard at most critical location</i> Service Load: 1.00 kN (225lb) Test Load: 1.00 kN (225lb) Maximum permanent deflection: 5 mm (Not to increase with repeated application of the service load.)	End Post	Post Deflection (mm) <u>Under Load</u> <u>Permanent</u> 13.91 2.43	PASS
	Center Post	Post Deflection (mm) <u>Under Load</u> <u>Permanent</u> 14.57 2.74	PASS
Ultimate Load <i>Top of guard at most critical location</i> Service Load: 1.00 kN (225lb) Load Factor: 1.50 Test Load: 1.50 kN (337 lb) No criteria provided for maximum deflection under load or for permanent deflection after release of load.	End Post	Post Deflection (mm) <u>Under Load</u> <u>Permanent</u> 16.35 2.76	PASS
	Center Post	Post Deflection (mm) <u>Under Load</u> <u>Permanent</u> 17.53 3.12	PASS
Elements Within the Guard <i>Loads applied at most critical location</i> Service Load: 0.50 kN (113 lb) Load Factor : 1.50 Test Load: 0.75 kN (169 lb)	Infill panel at most critical location	Observations: • No glass breakage • No permanent deformation of supporting elements	PASS
Vertical, Top Rail Service Load: 1.50 kN/m (100 lb/ft) Load Factor: 1.50 Ultimate Load: 2.25 kN/m (154 lb/ft) Post Spacing: 1067 mm (42.0") Equivalent Load: 2.40 kN (540 lb) No maximum criteria provided for deflection under load or for permanent deflection after loading.	Mid-span of top rail	Top Rail deflection (mm) <u>Under Load</u> <u>Permanent</u> 5.61 0.54	PASS

Table (3): Impact Load and Post-Breakage Retention Test Results
(CSA A500-16, 5.5.3.1)

Test Date: October 22-28, 2020

TEST REQUIREMENT	Load Location	RESULTS	RATING
Combination Load <i>Service + Wind Loads</i> Service Load: 2.40 kN (548lb) Wind Pressure : 2.5 kPa (50 psf) No maximum criteria provided for deflection under load or for permanent deflection after loading.	Large Panel Service Load: Mid-span of top rail Wind Load: Center of infill panel	Panel Width: 1067 mm (42") Panel Height: 914 mm (36") Equivalent wind load applied on panel: 2.44 kN (548 lb) Top Rail deflection (mm) <u>Under Load</u> <u>Permanent</u> 34.59 6.65	PASS
Impact Load and Post-Breakage Retention Testing Impact Location: Center of Panel Impactor Weight: 45.4 kg (100 lb) Drop Height: 1220 mm (48") Performance Criteria 5.5.3.1 (b) i) the compromised panel or infill, including all parts and components, remains in place; ii) the impact does not create an opening in the panel or infill through which a 150 mm sphere is able to pass under an 18 N load; and iii) the compromised panel, infill, or system is able to withstand a load in the direction of the impact that is equivalent to 25% of the service wind load or 225 N, whichever is greater. This load may be applied in the form of a point load acting in the center of the panel or infill.	Panel 1	No glass breakage	PASS
	Panel 2	No glass breakage	PASS
	Panel 3	No glass breakage	PASS

6. CONCLUSION

Based on the observations and obtained test results, the balcony railing system described in this report **DID MEET** the load and impact resistance requirements specified in OBC/NBCC (Article 4.1.5.14) and Article 5.5.3.1 of the CSA A500-16 *Standard "Building Guards"*.

\\SERVER\Files\RPT\Rpt_20\540-5918a,Art Aluminum railing-8 mm glass CSA 500.doc

Report History

Revision No.	Change and Reason	Date	Approved by
---	Original report issued	December 23, 2020	EA

Appendix (A) - CSA A500-16 Requirements
<p>5.3.2 Effect of service load and ultimate load as per Article 4.1.5.14. of the NBC <i>The guard assembly and components shall be tested for the effect of service load and ultimate load.</i></p> <p><i>The difference between the deflection after the peak service load has been released and the deflection at "zero". Load shall be less than 5 mm and shall not increase with repeated application of the peak service load.</i></p>
<p>5.3.3 Effect of total ultimate load, including load combinations <i>The guard assembly configuration in which the applied loading produces the highest component stresses under the applied load, including all load-bearing components and connections, shall be tested for the effect of total ultimate load, including load combinations in accordance with Table 4.3.</i></p>
<p>5.3.4 Response to loads <i>After final installation, a minimum of one specimen per each type of guard assembly and its components, on which the applied load exerts the most adverse stress condition, shall be tested for response to loads in accordance with the NBC, Article 4.1.5.14. Appropriate load and resistance factors shall be used.</i></p> <p>material factors of 0.8 for aluminum and 0.85 for glass</p>
<p>5.3.5 Effect of total ultimate on main connections <i>After final installation on site, a minimum of two main connections of the guard assembly to the supporting structure shall be tested on site for the effect of the total ultimate load including load combinations in accordance with Table 4.3.5.3.6 Impact and post breakage retention testing</i></p>
<p>5.3.6 Impact Load</p> <p>5.3.6.1 <i>The infill panel in the guard assembly or the panel portion of the guard assembly shall be tested as part of the assembly for the impact load, unless sufficient documented proof is provided to verify that the system is capable of sustaining the impact test load.</i></p> <p>5.3.6.2 <i>Infills need not be tested under impact for guard assemblies that</i></p> <ul style="list-style-type: none">a) are walls acting as guards; orb) comprise<ul style="list-style-type: none">i) parapet that is<ul style="list-style-type: none">1) adequately designed to support all the loads applied to the guard and transfers them to the supporting structure; and2) 500 mm or higher above the surface the guard is intended to protect; andii) a guard infill that is supported on at least two opposite sides.
<p>5.5.1.9 Pass/Fail Criteria <i>If one or more of the below conditions is noted on the tested assembly prior to reaching the required peak "test load", the test shall be considered as having failed:</i></p> <ul style="list-style-type: none">a) full or partial pull out of anchors connecting the guard assembly and its components to the supporting structure;b) the assembly or any of its components exhibit excessive deformation, fracture, pull-out, or breakage of the supporting structure;c) deformation of the assembly or any of its components will increase without increasing the applied load;d) the assembly or any of its components exhibit evidence of yielding;e) any part or component of the assembly fails to remain in its design position; orf) the assembly or any of its components fail to remain connected.

Appendix (A) - CSA A500-16 Requirements

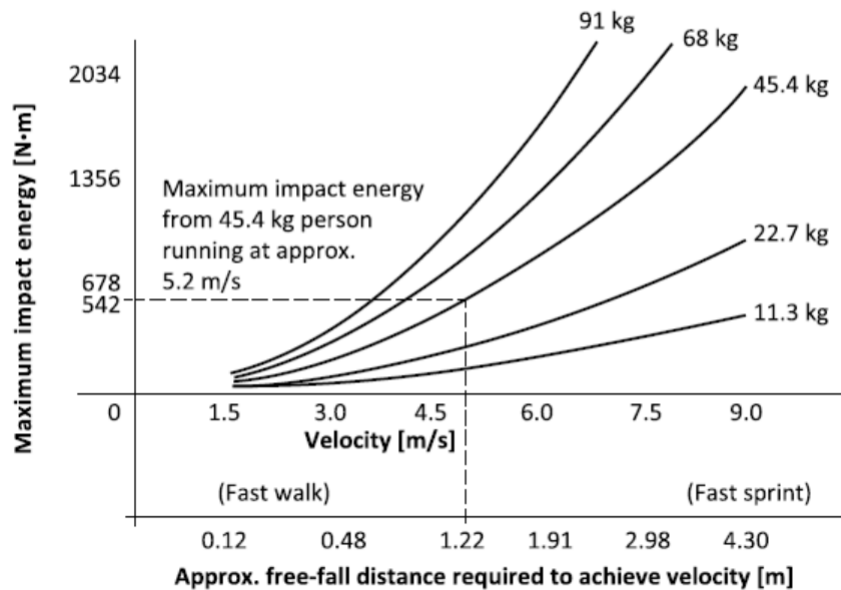
5.5.2 Impact and post-breakage retention testing

Impact testing shall be carried out as a minimum on the longest and the shortest infill spans for which compliance is sought.

For each guard configuration under test, impact testing shall be performed on three identical specimens according to the following criteria:

- a) for simple, in-line, assemblies, each specimen shall include two posts, one infill panel (or pickets), anchors, and associated components; or
- b) for assemblies having infill panels or pickets overhanging the supporting structure or end post, each specimen shall include two posts, with the infill panel or pickets configured to match the proposed overhanging design and including end supports and associated system components where applicable.

Figure A.1
Human engineering data for impact energies
 (See Clause A.5.5.2.)



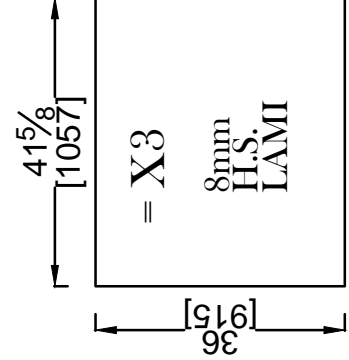
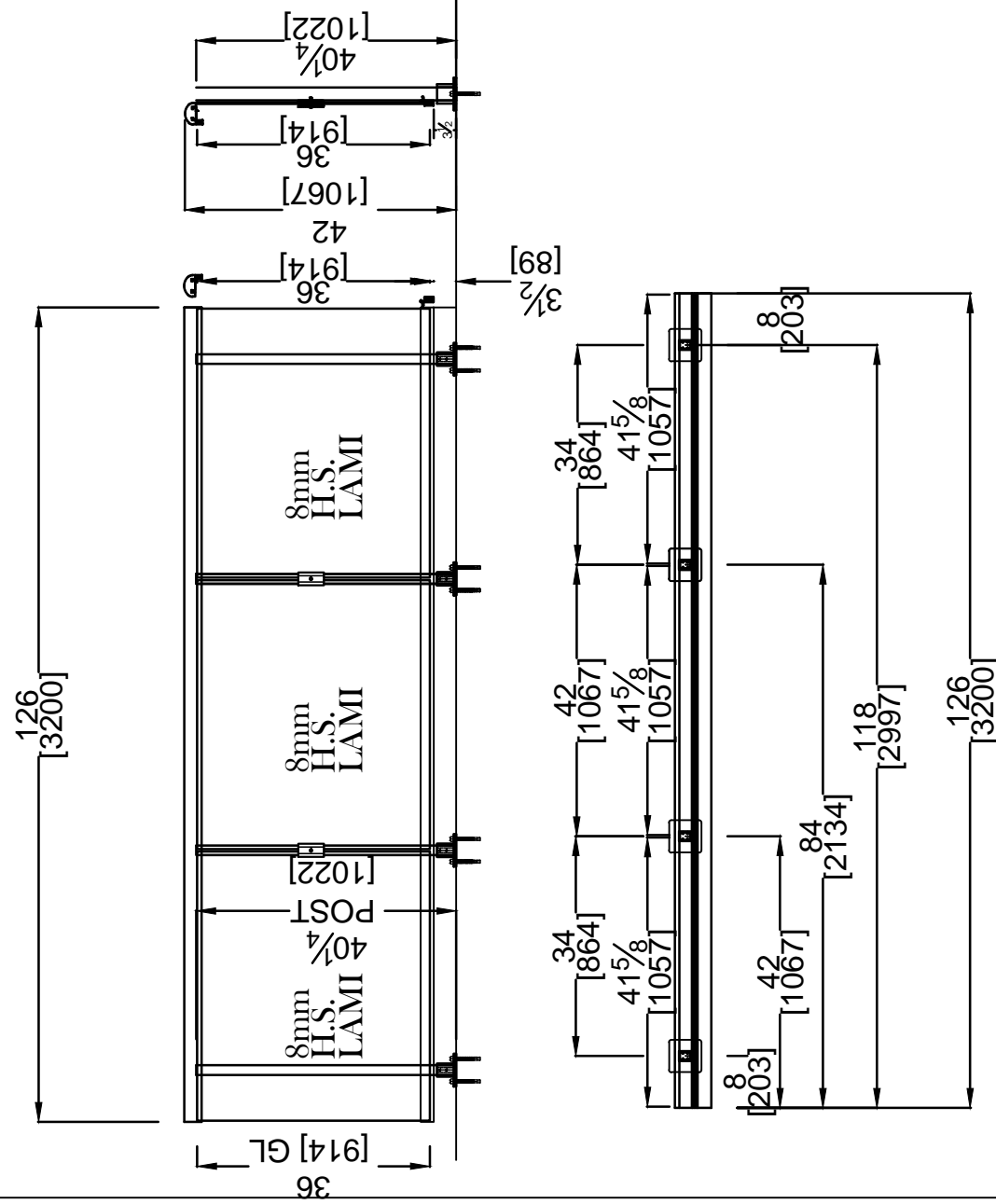
5.5.3 Criteria for successful impact and post-breakage retention testing

The impact and post-breakage retention test shall be deemed as passed if one of the following conditions are met:

- a) the panel or infill remains intact after impact; or
- b) the panel or infill integrity is compromised by the impact and all of the following conditions are met:
 - i) the compromised panel or infill, including all parts and components, remains in place;
 - ii) the impact does not create an opening in the panel or infill through which a 150 mm sphere is able to pass under an 18 N load; and
 - iii) the compromised panel, infill, or system is able to withstand a load in the direction of the impact that is equivalent to 25% of the service wind load or 225 N, whichever is greater. This load may be applied in the form of a point load acting in the center of the panel or infill.

3091 FALBO RAILING TEST

TYPE #2: ALUM.GLASS RAILING TOP CAP, TOP MOUNTED



8mm H.S. LAMI. COMPOSITION:
 4mm CLEAR HEAT STRENGTHENED GLASS
 0.060 EVA INTERLAYER
 4mm CLEAR HEAT STRENGTHENED GLASS

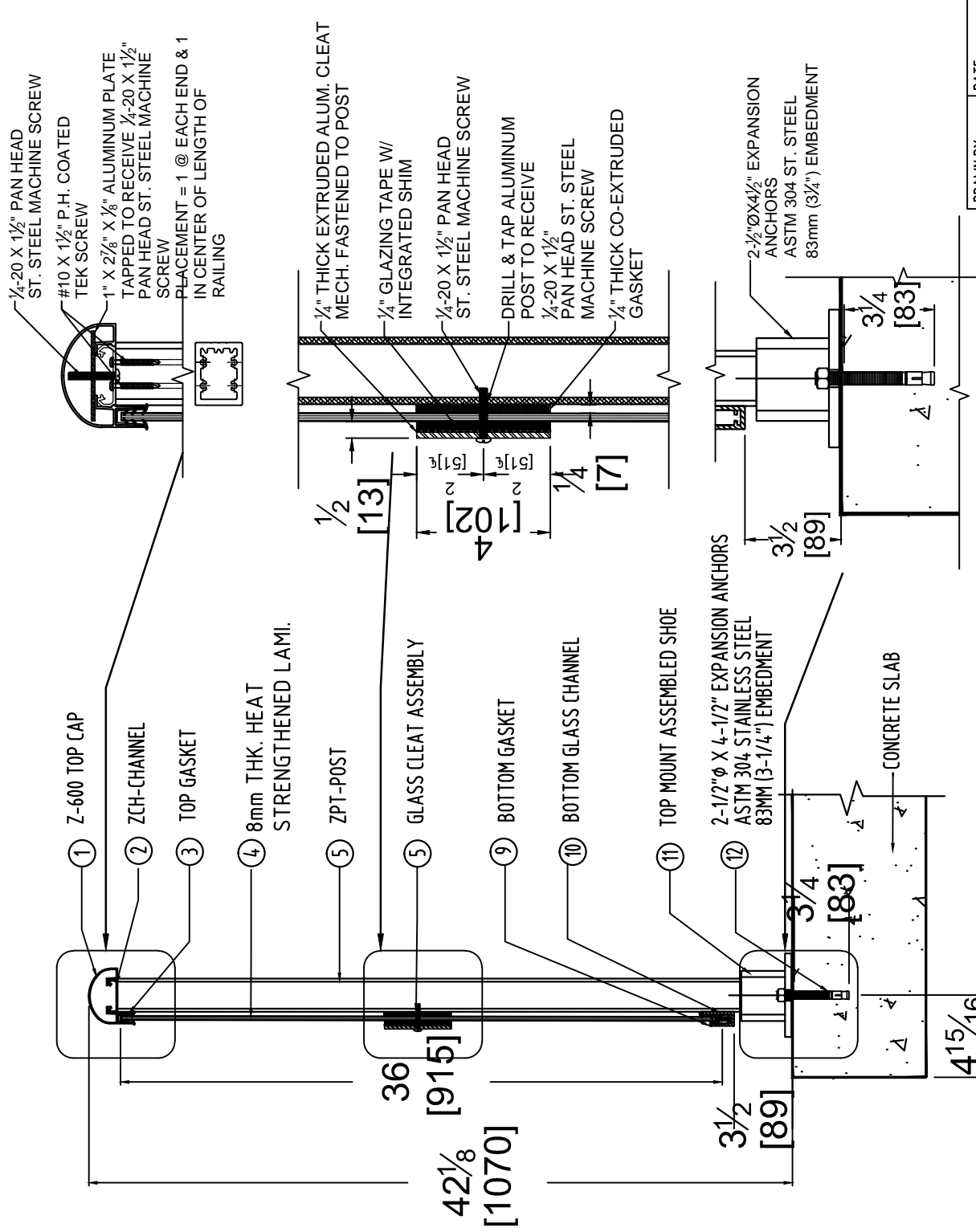
CAN-BEST
 Canadian Building Envelope
 Science and Technology

This document forms part of:

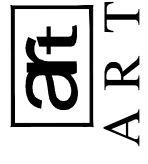
Report No.: L20-540-5918A
 Verified By: *[Signature]*
 Date: DECEMBER 17, 2020

CROSS SECTION - TYPE #2

ALUM.GLASS RAILING TOP CAP, TOP MOUNTED



ITEM NO.	DESCRIPTION	PART NUMBER
1	TOP CAP	AS-36124
2	TOP RAIL	AS-36087
3	TOP GASKET	V-858
4	6MM HEAT STRENGTHENED GLASS	
5	POST	AH-72863
9	BOTTOM 1/8" GASKET	V-806
10	BOTTOM GLASS CHANNEL	AS-72864
11	TOP ASSEMBLED SHOE	
12	1/2"Ø x 4 1/2" EXPANSION ANCHORS	
14	GLASS CLEAT ASSEMBLY	STAINLESS STEEL



aluminum railing technologies Ltd.
 66 Rivale Rd, Toronto, Ontario M9H 2H3
 Tel: (416) 740-9304 Fax: (416) 740-0720
 Email:

DRAWING NO: RT-1

OCT-7-20

DRAWN BY: MD	DATE: 10/07/2020
CHECKED BY: IW	SCALE: NTS.
PROJECT: RAILING TEST	
DRAWING TITLE: TYPE 2 BALCONY RAILING	



Canadian Building Envelope
Science and Technology

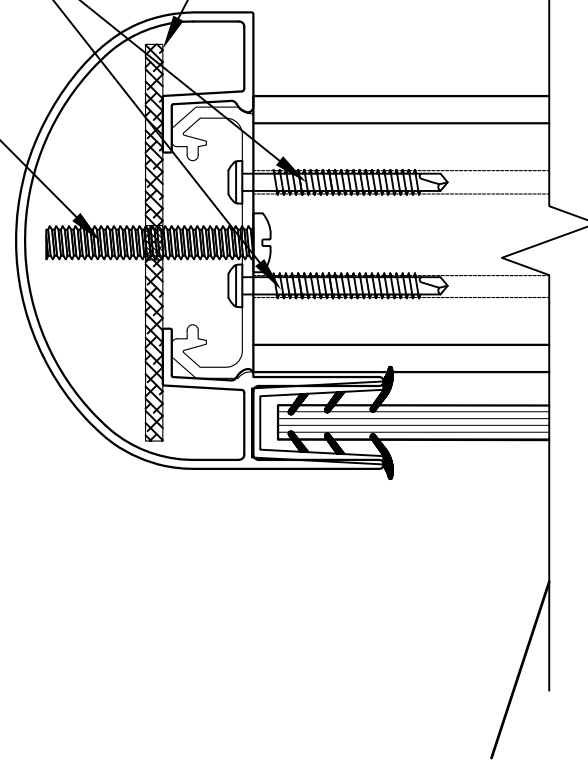
This document forms part of:

Report No.:	L20-540-5918A
Verified By:	<i>[Signature]</i>
Date:	DECEMBER 17, 2020

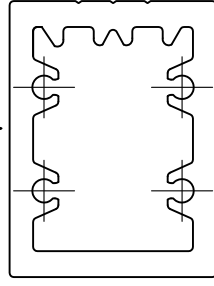
1/4-20 X 1 1/2" PAN HEAD
ST. STEEL MACHINE SCREW

#10 X 1 1/2" P.H. COATED
TEK SCREW

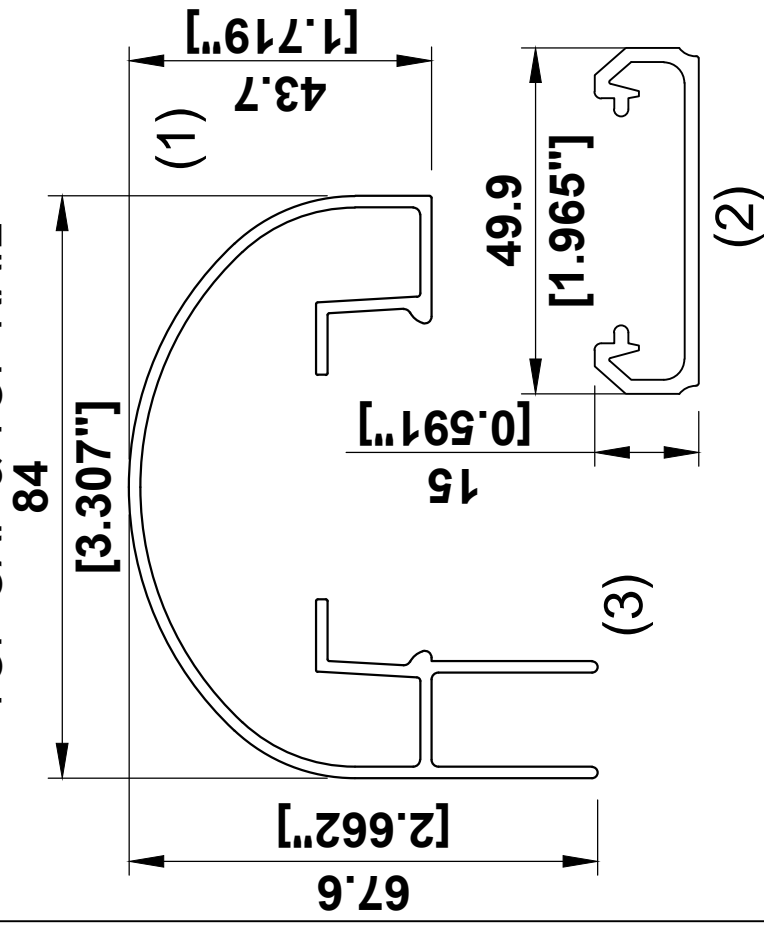
1" X 2 7/8" X 1/8" ALUMINUM
PLATE TAPPED TO
RECEIVE 1/4-20 X 1 1/2" PAN
HEAD ST. STEEL MACHINE
SCREW



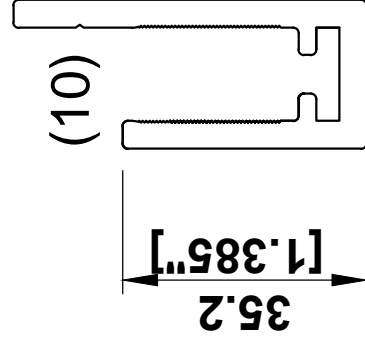
Total nine clamp down plates positioned as follows:
two at the ends (one each end),
two at each side panel, and
three at center panel.



TOP CAP & TOP RAIL

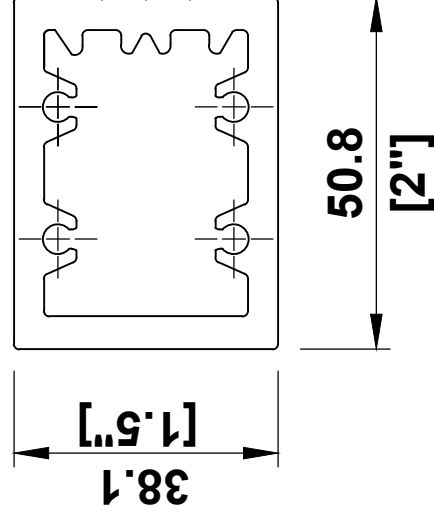


BOTTOM
GLASS & ALUM. PANEL
CHANNEL

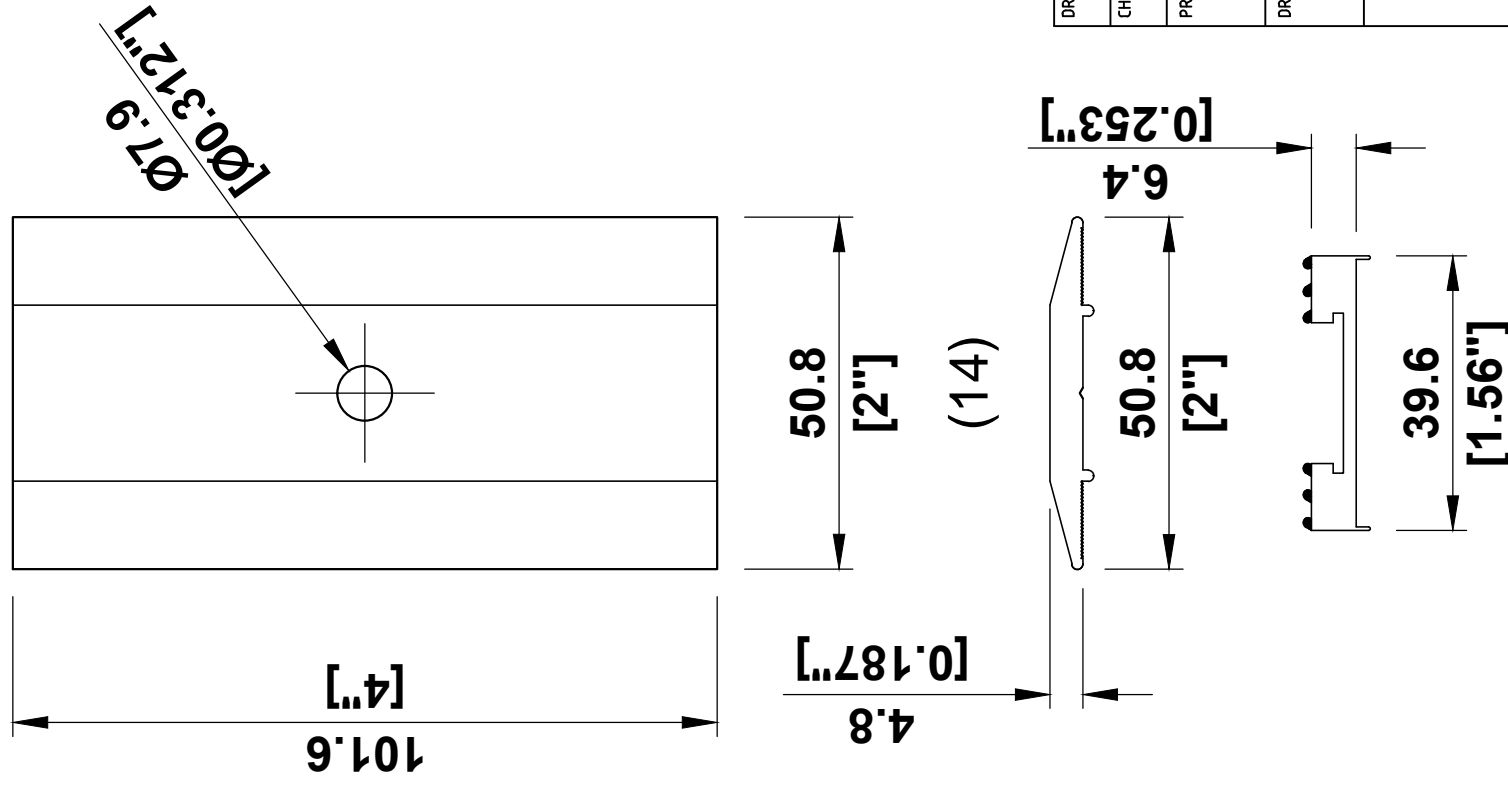


ALUMINUM POST

(5)



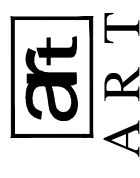
GLASS CLEAT ASSEMBLY



 <p>CAN-BEST Canadian Building Envelope Science and Technology</p>	This document forms part of:	
	Report No.:	L20-540-59 8A
Verified By:		
Date:	DECEMBER 17, 2020	

DRAWN BY:	MD	DATE:	10/07/2020
CHECKED BY:	IW	SCALE:	NTS.
PROJECT:	RAILING TEST		

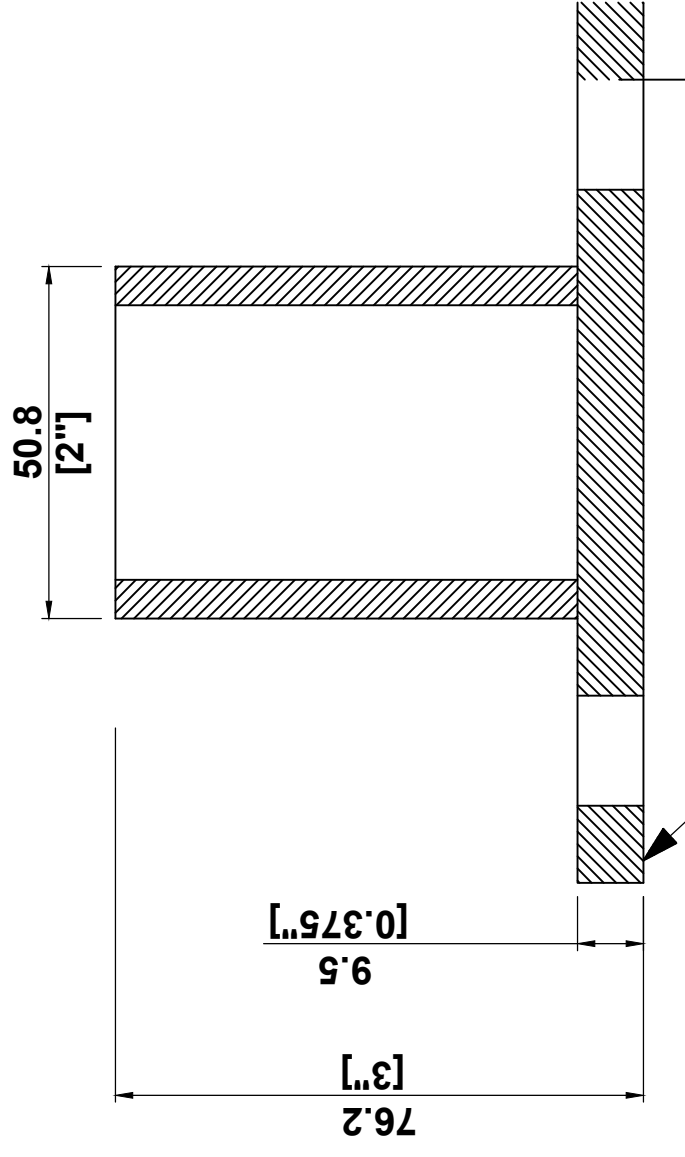
DRAWING TITLE:
RAILING PROFILE
DETAILS



aluminum railing technologies Ltd.
66 Rivaide Rd, Toronto, Ontario M9M 2H3
Tel: (416) 740-9904 Fax: (416) 740-0720
Email:

DRAWING NO:

DT-1



WELDING
AROUND

3/8" ALUMINUM PLATE

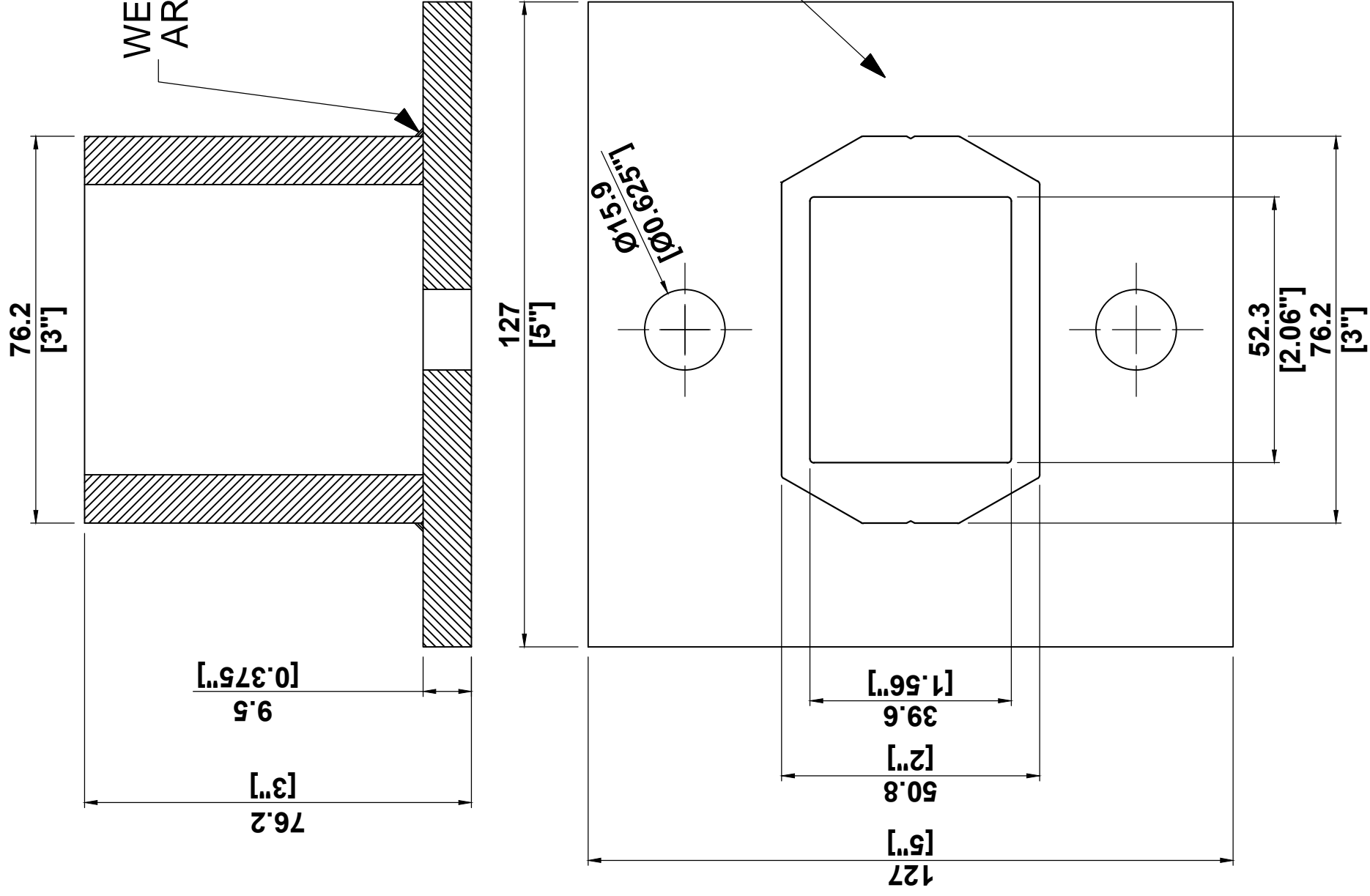
**Canadian Building Envelope
Science and Technology**

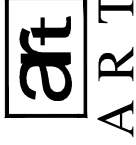
CAN-BEST
This document forms part of:

Report No.:	L20-540-59 8A
Verified By:	<i>[Signature]</i>
Date:	DECEMBER 17, 2020

AH-72865

**TOP ASSEMBLED SHOE
(11)**



DRAWN BY:	MD	DATE:	10/07/2020
CHECKED BY:	IW	SCALE:	NTS.
PROJECT:	RAILING TEST		
DRAWING TITLE:	RAILING PROFILE DETAILS		
			
aluminum railing technologies ltd. 66 Rivaide Rd, Toronto, Ontario, M9M 2H3 Tel: (416) 740-9904, Fax: (416) 740-0720 Email:			
DRAWING NO.:	DT-2		